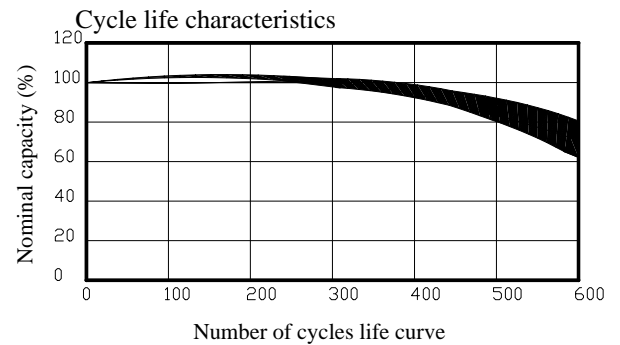
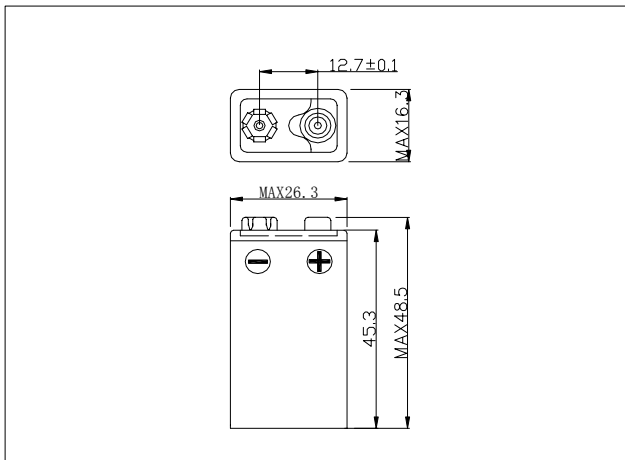
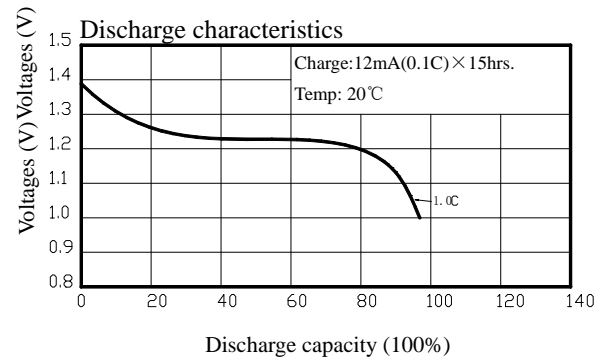
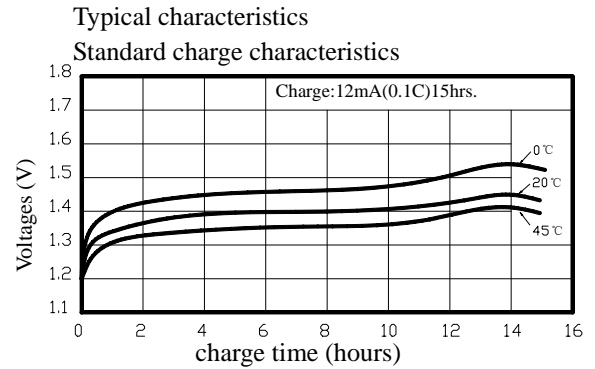


# TYPE: 9V 120 (High) Specifications

|                                      |                  |                                  |                        |
|--------------------------------------|------------------|----------------------------------|------------------------|
| <b>Nominal voltage</b>               |                  | <b>8.4V (1.2Vx7)</b>             |                        |
| <b>Capacity</b>                      |                  | <b>0.2C Discharge</b>            | <b>1.0C</b>            |
|                                      | <b>Minimum</b>   | 120mAh                           | 110mAh                 |
|                                      | <b>Typical</b>   | 125mAh                           | 115mAh                 |
| <b>Dimensions</b>                    |                  | <b>mm</b>                        | <b>inch</b>            |
|                                      | <b>Length</b>    | 26.3 <sup>-0.2</sup>             | 1.06 <sup>-0.008</sup> |
|                                      | <b>width</b>     | 16.3 <sup>-0.2</sup>             | 0.64 <sup>-0.008</sup> |
|                                      | <b>Height</b>    | 48.5 <sup>-0.2</sup>             | 1.91 <sup>-0.008</sup> |
| <b>Weight(Approximately)</b>         |                  | <b>Grams</b>                     | <b>Ounces</b>          |
|                                      |                  | 49                               | 1.73                   |
| <b>Internal Impedance At 1000 Hz</b> |                  | <b>150mΩ(Max) (After Charge)</b> |                        |
| <b>Charge</b>                        | <b>Standard</b>  | 12mA(0.1C) × 15hrs               |                        |
|                                      |                  |                                  |                        |
| <b>Ambient temperature</b>           | <b>Charge</b>    |                                  | <b>°C</b>              |
|                                      |                  | standard                         | 0°C to 45°C            |
|                                      | Rapid            | 10°C to 40°C                     |                        |
|                                      | <b>Discharge</b> | -20°C to 65°C                    | -4°F to 149°F          |
|                                      | <b>storage</b>   | -20°C to 45°C                    | -4°F to 113°F          |



**Note:**

1. After charging at 0.1C for 15hours.
2. Nominal capacity rated at 0.2C 20°C.
3. Average capacity for reference only.
4. Weight and internal impedance are for reference.
5. Standard according as IEC of test cycle life.

